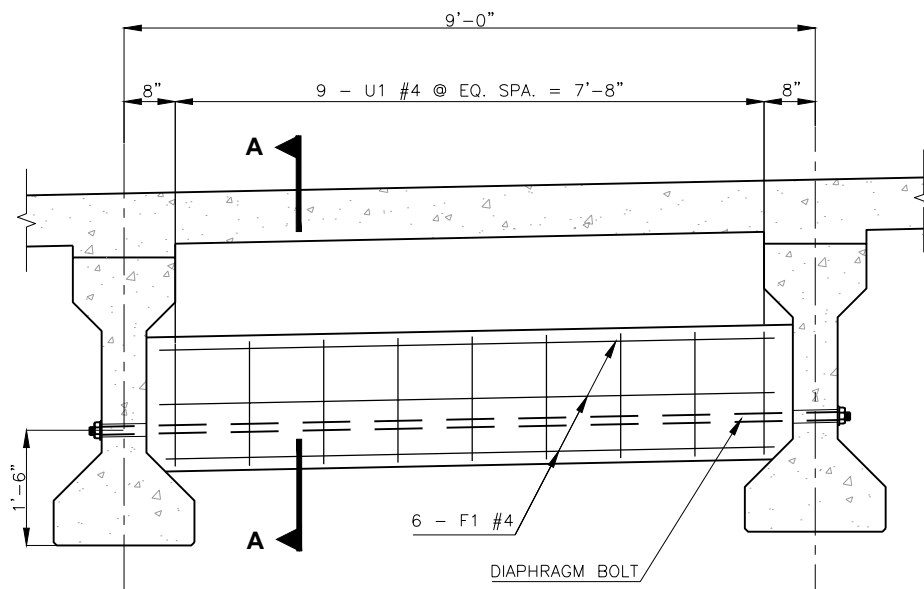
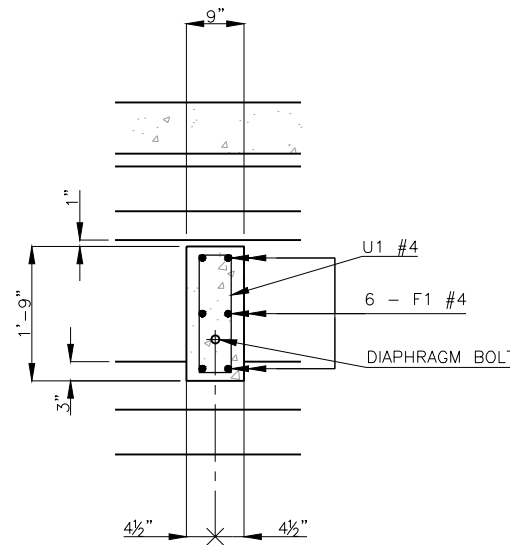


BEAM FRAMING PLAN



INTERMEDIATE AND PIER DIAPHRAGM ELEVATION

NOTE:
FOR BAR BEND, SEE SHEET 40.



SECTION A-A

SUPERSTRUCTURE QUANTITIES

ITEM	UNIT	TOTAL
PRESTRESSED CONCRETE BEAMS (TYPE III)	L.F.	995
SAW-CUT GROOVING	S.Y.	891.0
CONCRETE RAIL (TR4)	L.F.	401.0
STRUCTURAL STEEL	LB.	1,100
STAINLESS STEEL FIXED BEARING ASSEMBLY	EA.	10
STAINLESS STEEL EXPANSION BEARING ASSEMBLY	EA.	20
ELASTOMERIC BEARING PADS	EA.	20
CLASS AA CONCRETE	C.Y.	259.1
EPOXY COATED REINFORCING STEEL	LB.	69,810
WATER REPELLANT (VISUALLY INSPECTED)	S.Y.	645
SEALER CRACK PREPARATION	L.F.	163
SEALER RESIN	GAL.	2

DESIGN	J.W.H.	SH34 OVER S. PERSIMMON CREEK	WOODWARD COUNTY
DRAWN	Z.M.B.	BRIDGE A	
CHECKED	J.W.H.	BEAM FRAMING PLAN	
APPROV.	T.A.C.		
SQUAD	CEC		
		JOB PIECE NO. 28825(04)	SHEET NO. 34